

Worksheet

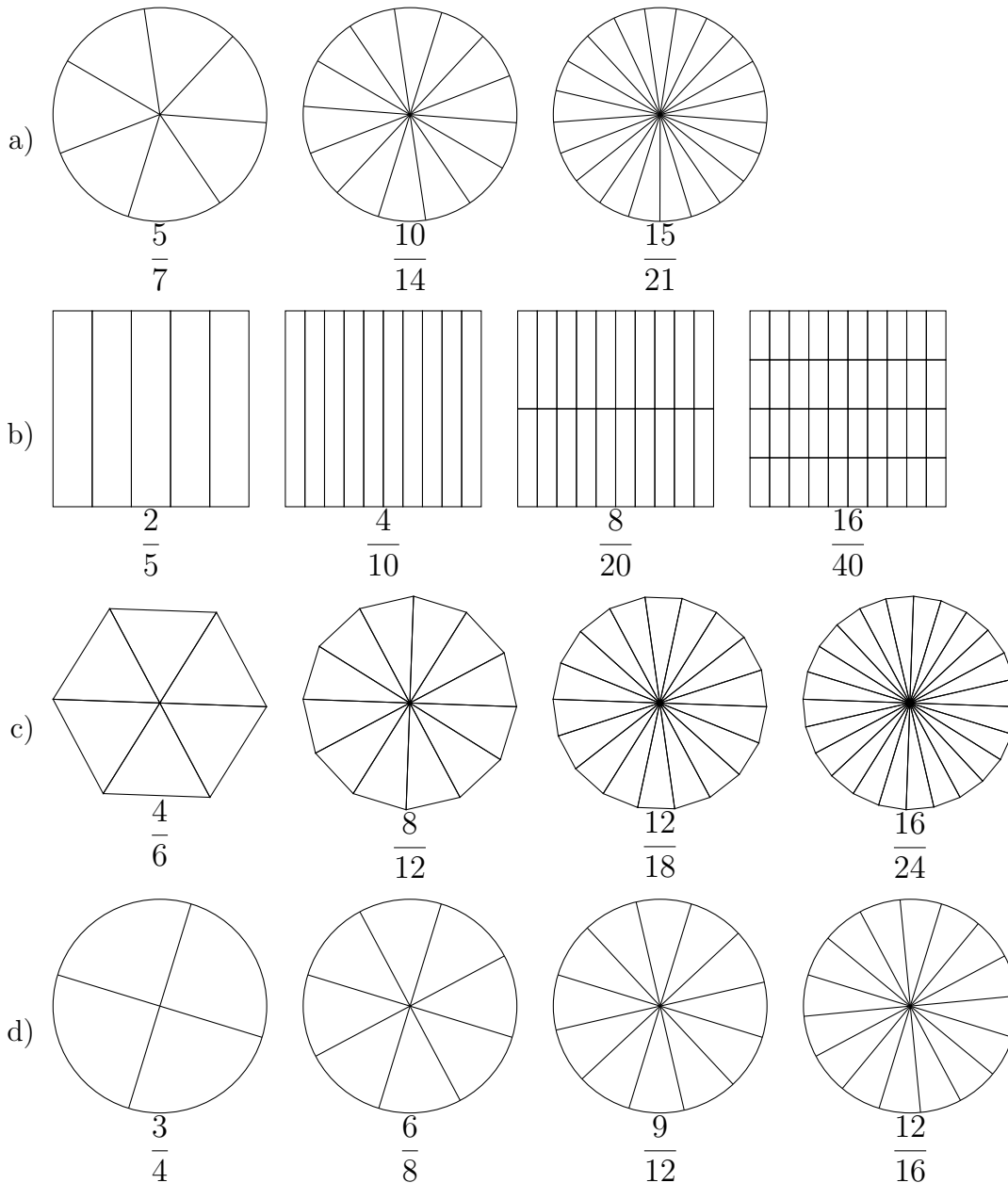
06/06/2018

Free on dw-math.com

Problem quickname: 5247

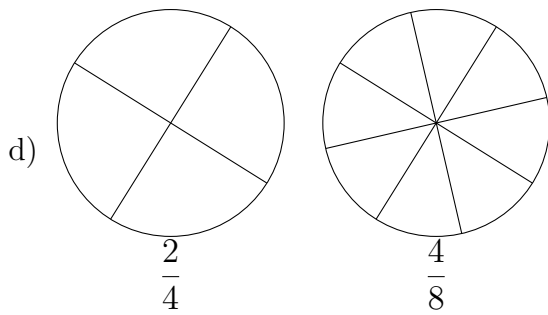
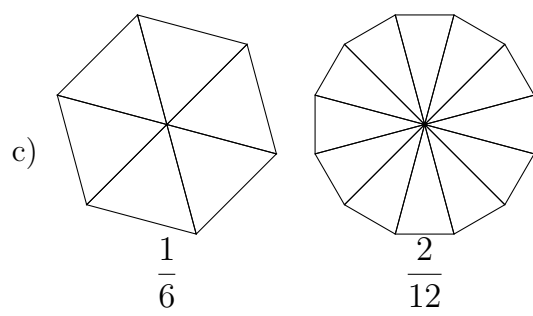
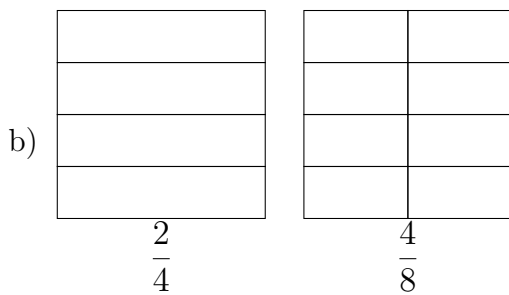
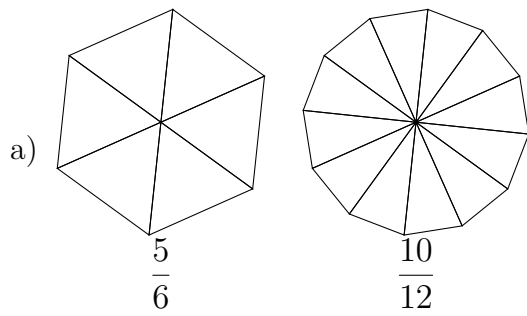
1)

Shade the indicated portion of each shape.



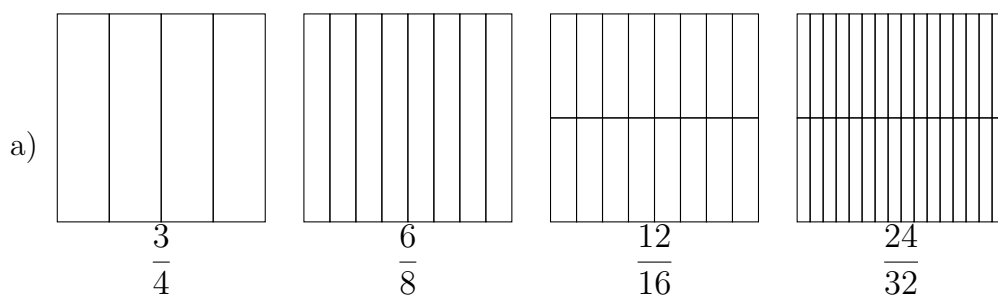
2)

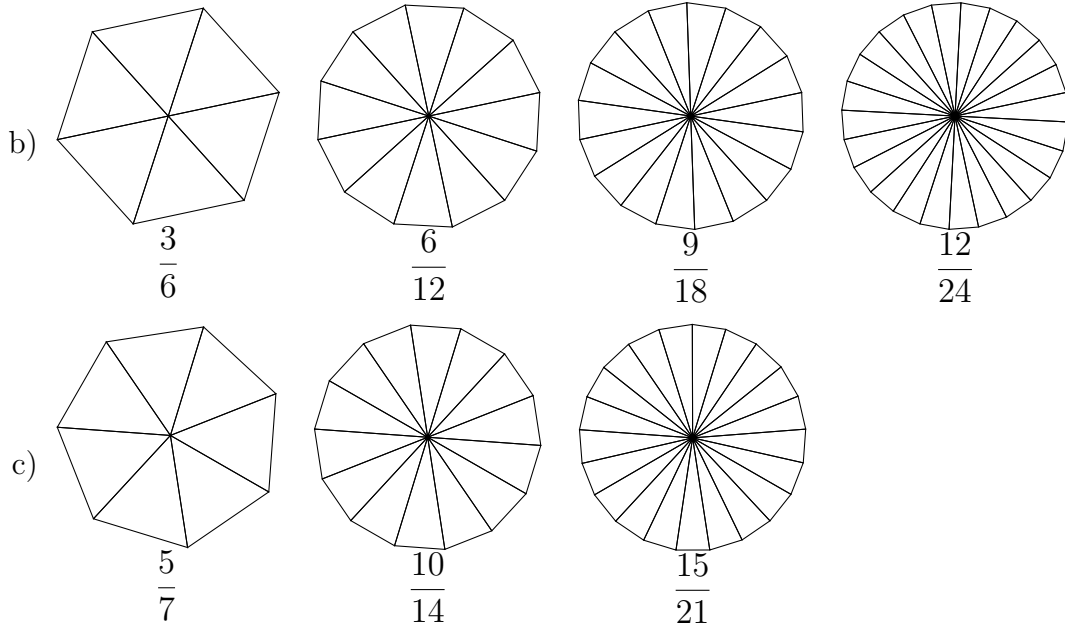
Shade the indicated portion of each shape.



3)

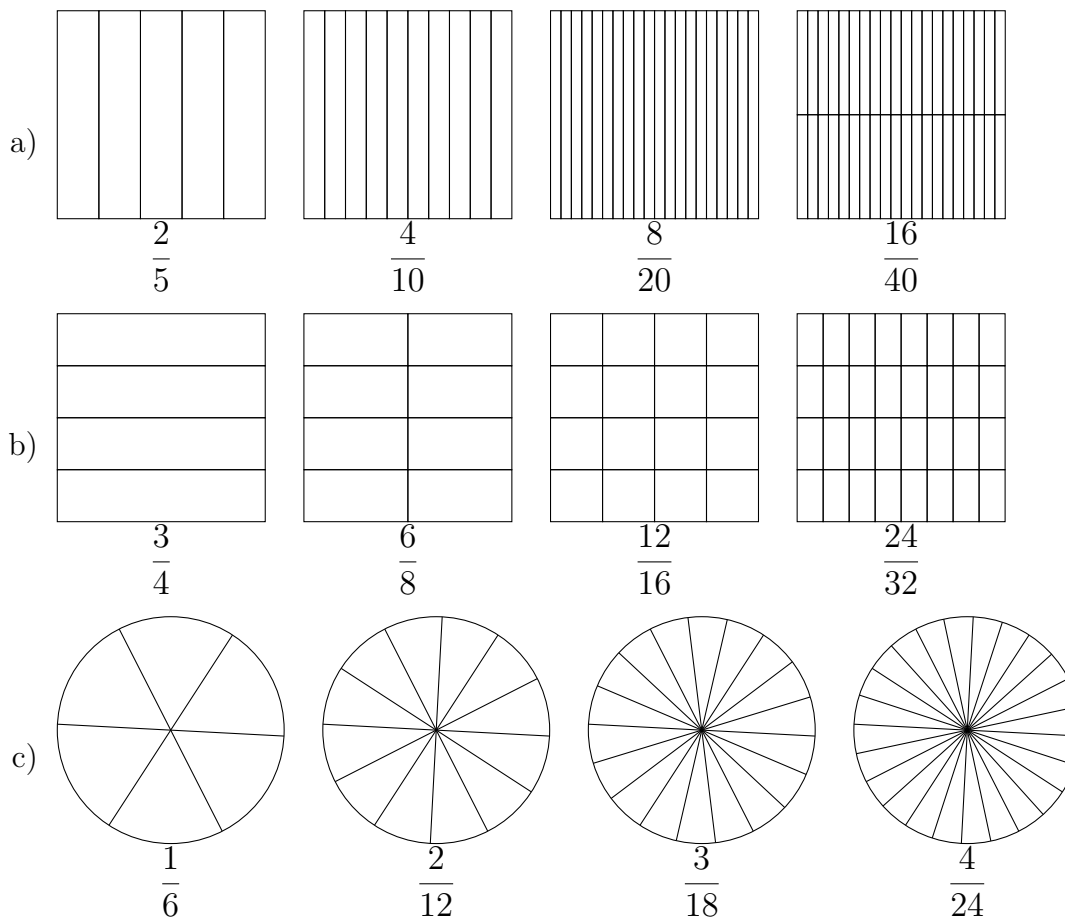
Shade the indicated portion of each shape.

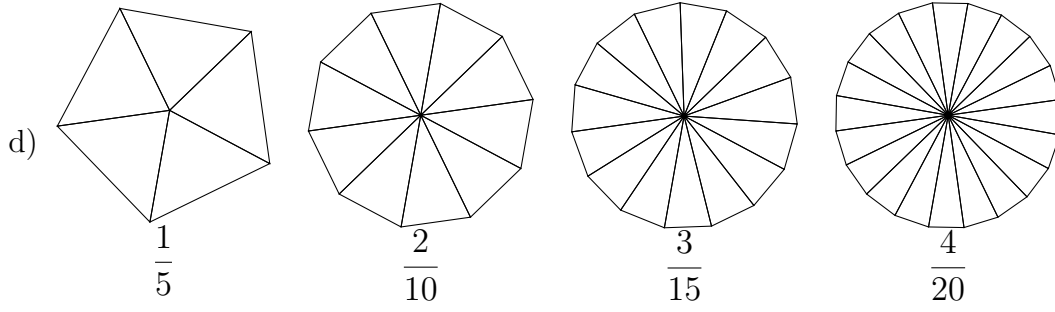




4)

Shade the indicated portion of each shape.





Good Luck!