

Worksheet

11/05/2019

Free on dw-math.com

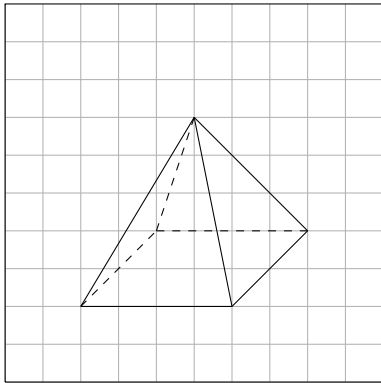
Problem quickname: 5518

1)

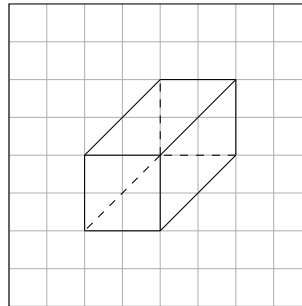
Complete the shape by drawing the missing lines. Use solid lines for lines that are visible, dashed or dotted lines for lines that are invisible or obscured.

Quick:
5518

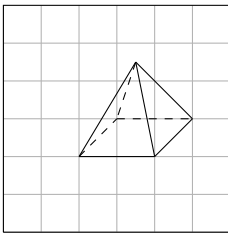
a) Shape: A pyramid



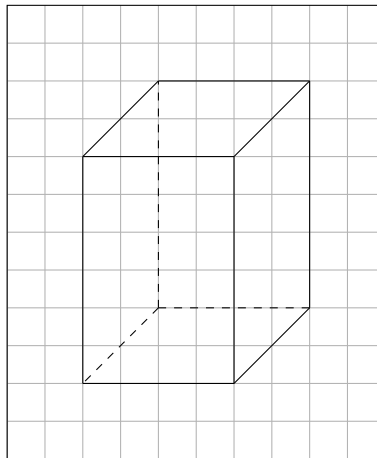
b) Shape: A cuboid



c) Shape: A pyramid



d) Shape: A cuboid



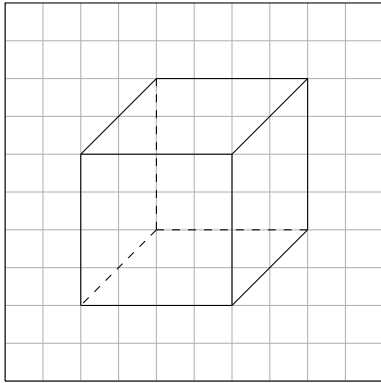
2)

Complete the shape by drawing the missing lines. Use solid lines for lines that are

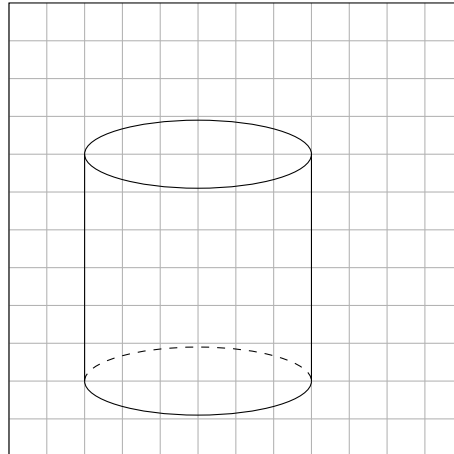
Quick:
5518

visible, dashed or dotted lines for lines that are invisible or obscured.

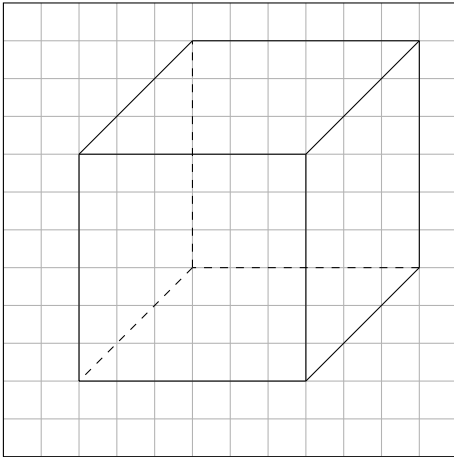
a) Shape: A cube



b) Shape: A cylinder



c) Shape: A cube

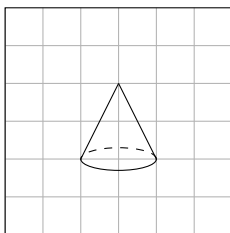


3)

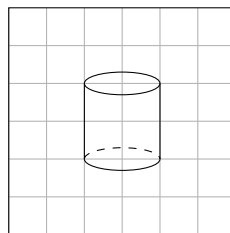
Complete the shape by drawing the missing lines. Use solid lines for lines that are visible, dashed or dotted lines for lines that are invisible or obscured.

Quick:
5518

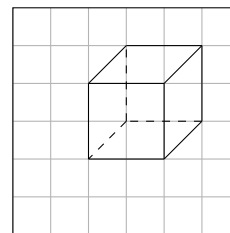
a)



b)



c)

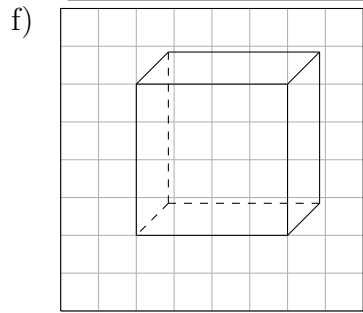
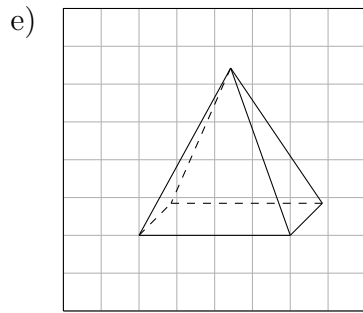
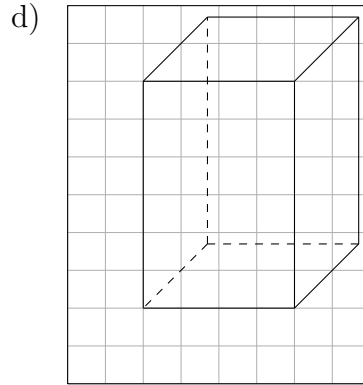
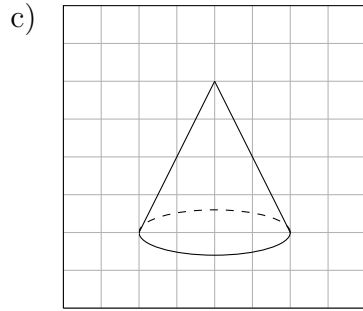
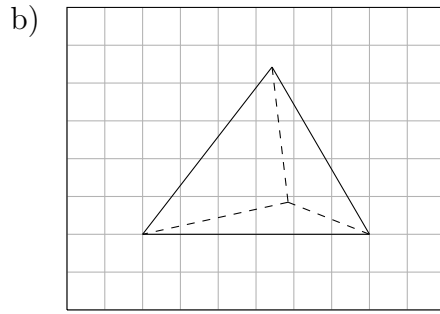
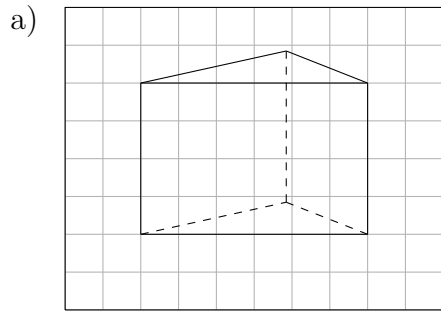


4)

Complete the shape by drawing the missing lines. Use solid lines for lines that are

Quick:
5518

visible, dashed or dotted lines for lines that are invisible or obscured.



Good Luck!