

Worksheet

11/05/2019

Free on dw-math.com

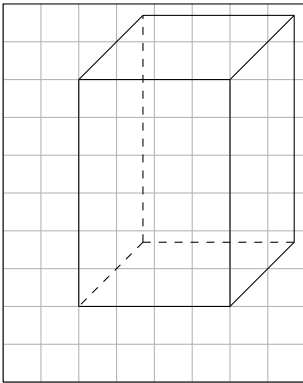
Problem quickname: 5518

1)

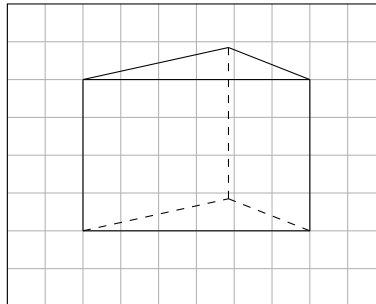
Complete the shape by drawing the missing lines. Use solid lines for lines that are visible, dashed or dotted lines for lines that are invisible or obscured.

Quick:
5518

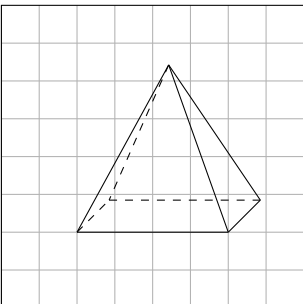
a) Shape: A cuboid



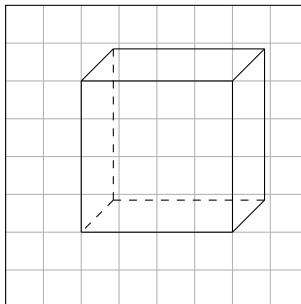
b) Shape: A prism



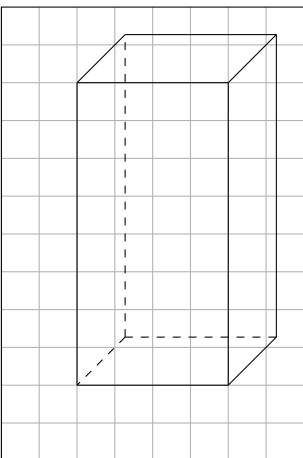
c) Shape: A pyramid



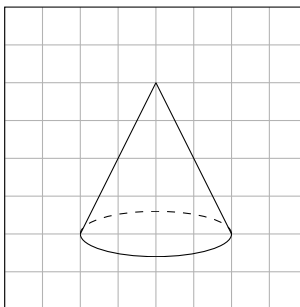
d) Shape: A cube



e) Shape: A cuboid



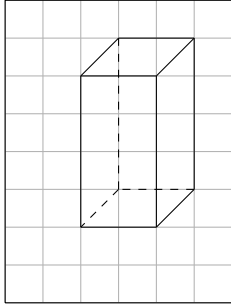
f) Shape: A cone



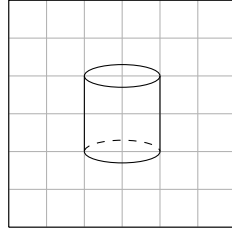
2)

Complete the shape by drawing the missing lines. Use solid lines for lines that are visible, dashed or dotted lines for lines that are invisible or obscured.

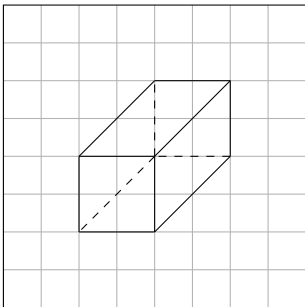
a) Shape: A cuboid



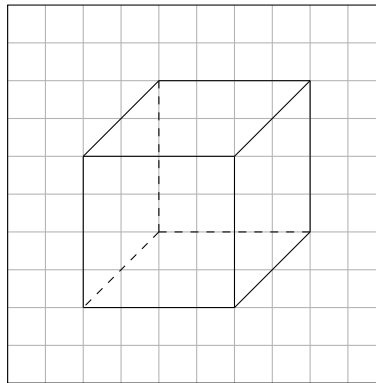
b) Shape: A cylinder



c) Shape: A cuboid



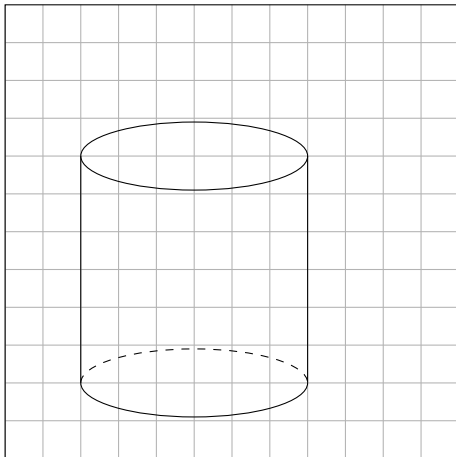
d) Shape: A cube



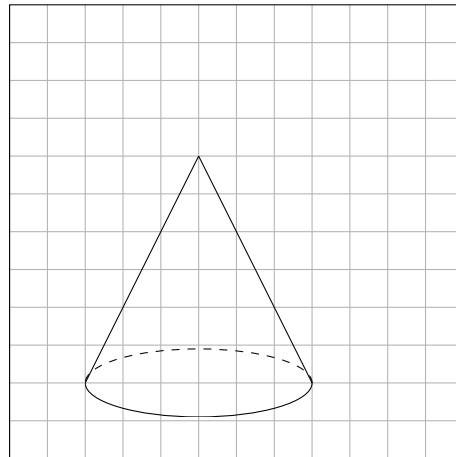
3)

Complete the shape by drawing the missing lines. Use solid lines for lines that are visible, dashed or dotted lines for lines that are invisible or obscured.

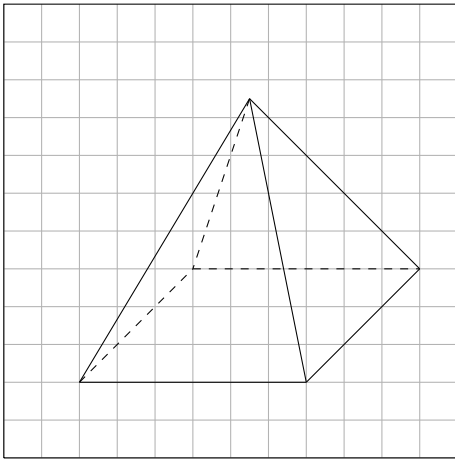
a) Shape: A cylinder



b) Shape: A cone



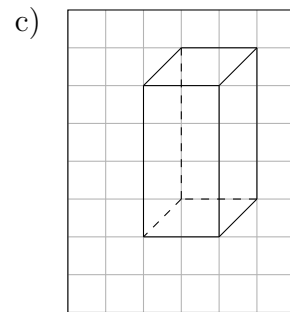
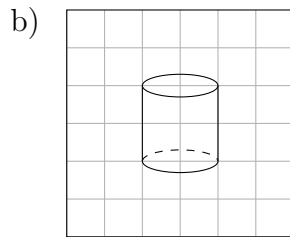
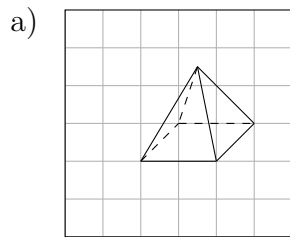
c) Shape: A pyramid



4)

Complete the shape by drawing the missing lines. Use solid lines for lines that are visible, dashed or dotted lines for lines that are invisible or obscured.

Quick:
5518



Good Luck!