

# Worksheet

06/02/2021

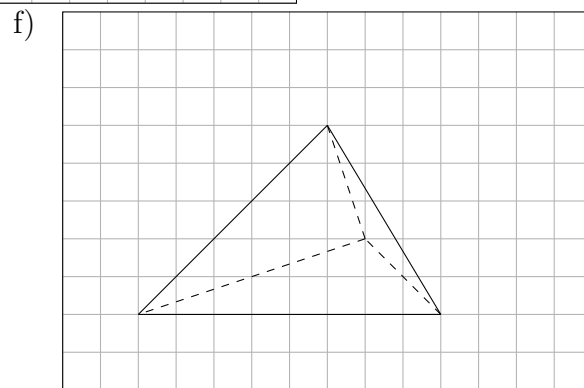
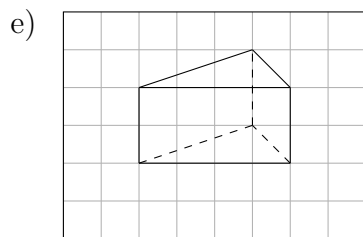
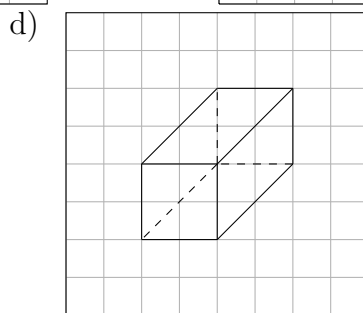
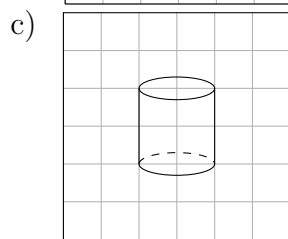
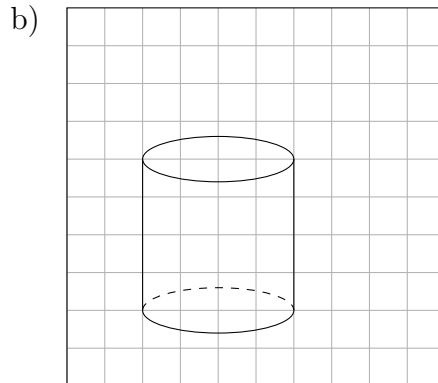
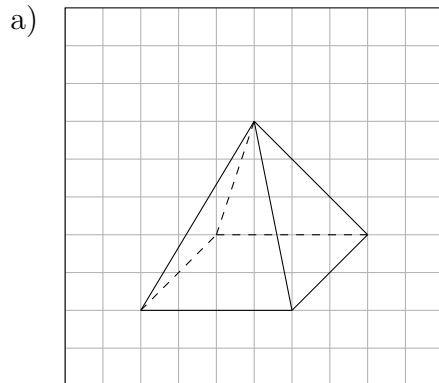
Free on dw-math.com

Problem quickname: 1443

1)

Complete the shape by drawing the missing invisible lines. Use a dotted or dashed line.

Quick:  
1443

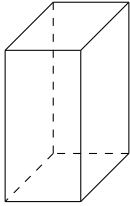


2)

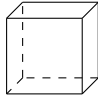
Quick:  
1443

Complete the shape by drawing the missing invisible lines. Use a dotted or dashed line.

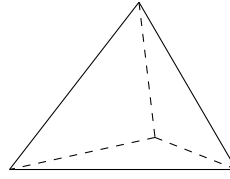
a)



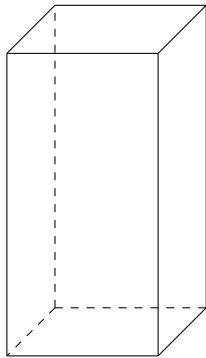
b)



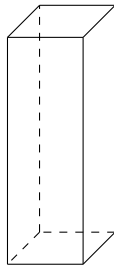
c)



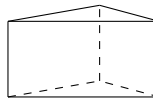
d)



e)



f)

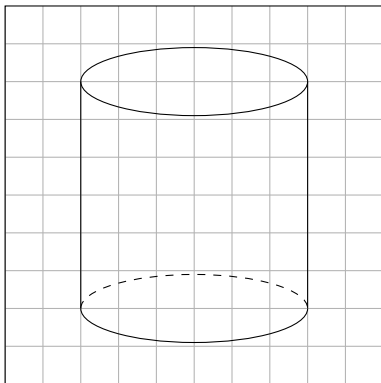


3)

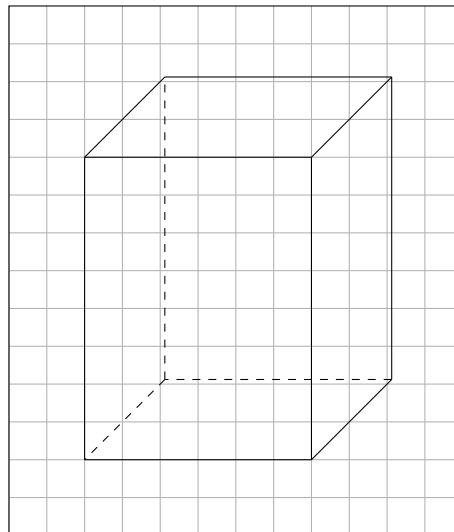
Quick:  
1443

Complete the shape by drawing the missing invisible lines. Use a dotted or dashed line.

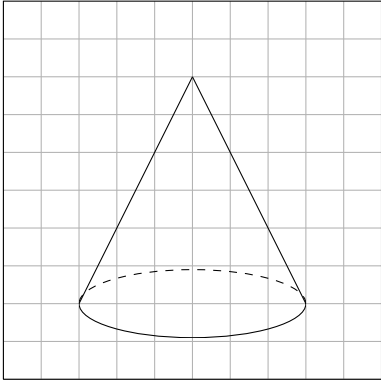
a) Shape: A cylinder



b) Shape: A cuboid



c) Shape: A cone

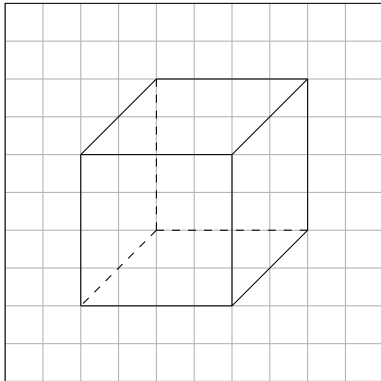


4)

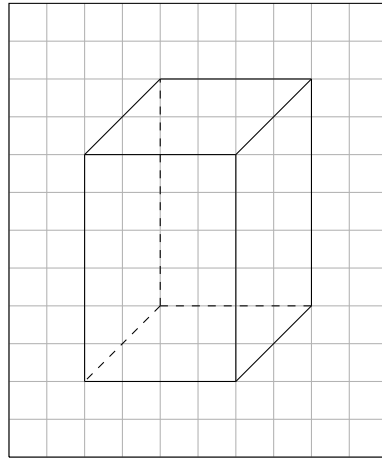
Complete the shape by drawing the missing invisible lines. Use a dotted or dashed line.

Quick:  
1443

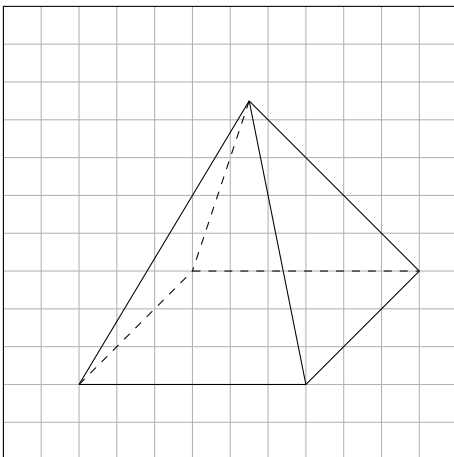
a) Shape: A cube



b) Shape: A cuboid



c) Shape: A pyramid



Good Luck!