

# Worksheet

06/02/2021

Free on dw-math.com

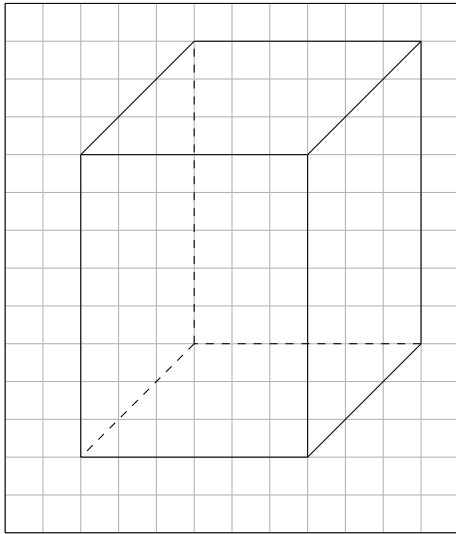
Problem quickname: 1443

1)

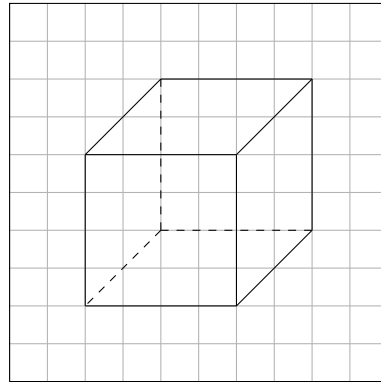
Complete the shape by drawing the missing invisible lines. Use a dotted or dashed line.

Quick:  
1443

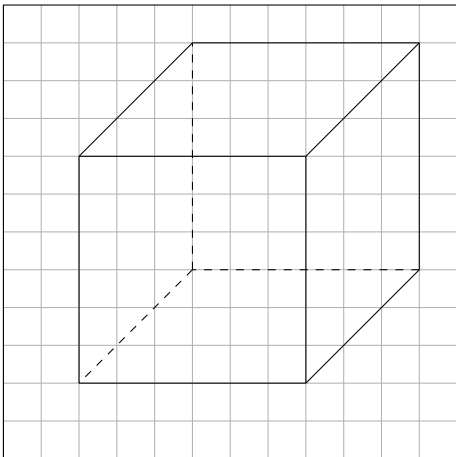
a) Shape: A cuboid



b) Shape: A cube



c) Shape: A cube

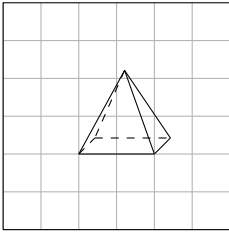


2)

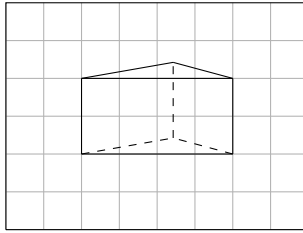
Quick:  
1443

Complete the shape by drawing the missing invisible lines. Use a dotted or dashed line.

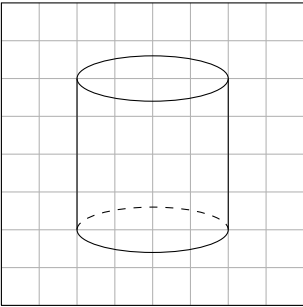
a) Shape: A pyramid



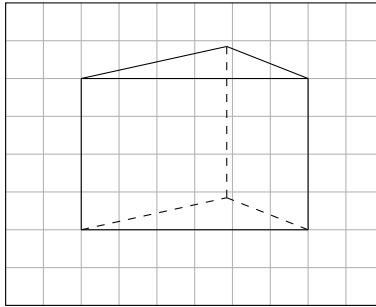
b) Shape: A prism



c) Shape: A cylinder



d) Shape: A prism

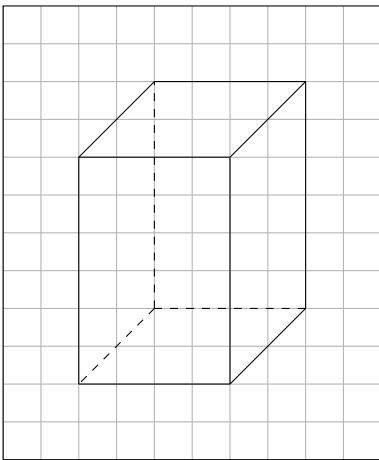


3)

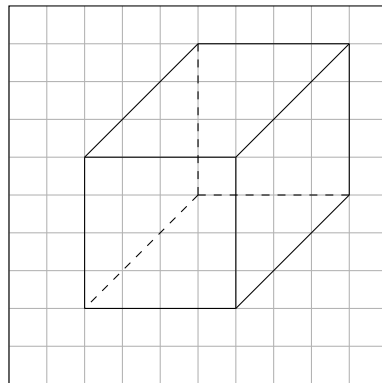
Quick:  
1443

Complete the shape by drawing the missing invisible lines. Use a dotted or dashed line.

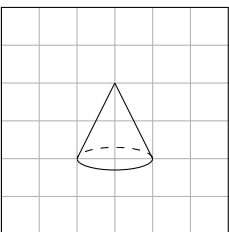
a)



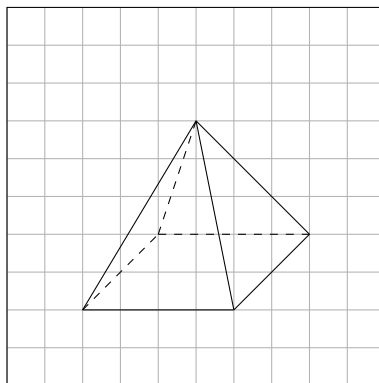
b)

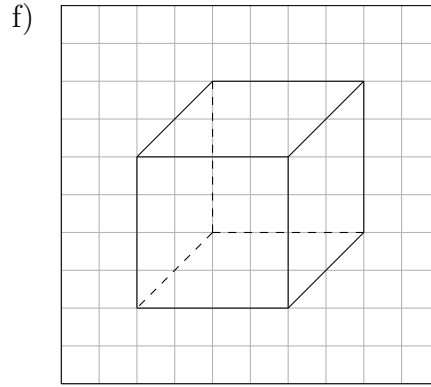
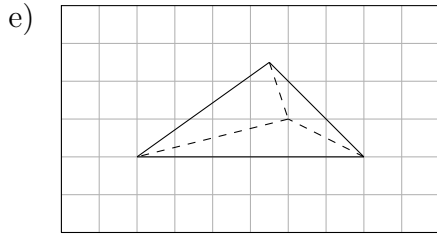


c)



d)

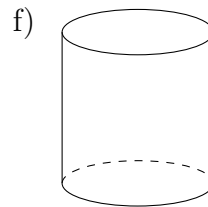
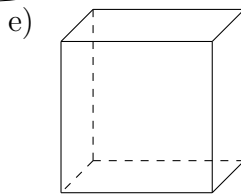
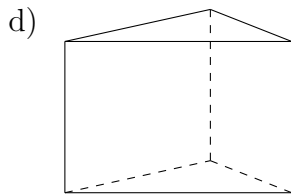
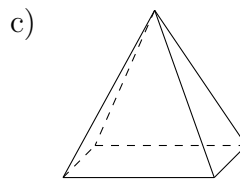
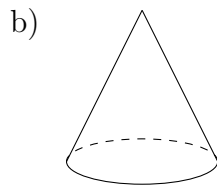
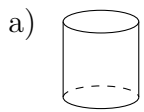




4)

Complete the shape by drawing the missing invisible lines. Use a dotted or dashed line.

Quick:  
1443



Good Luck!