

Worksheet

11/09/2019

Free on dw-math.com

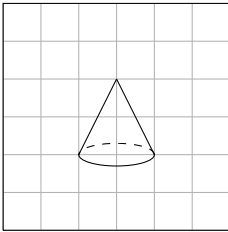
Problem quickname: 1443

1)

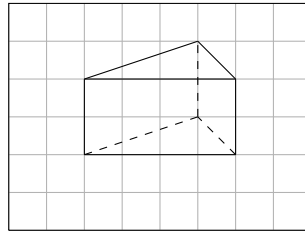
Complete the shape by drawing the missing invisible lines. Use a dotted or dashed line.

Quick:
1443

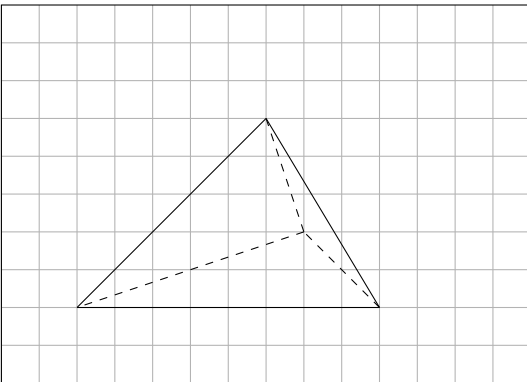
a)



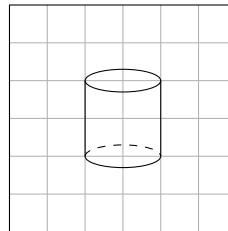
b)



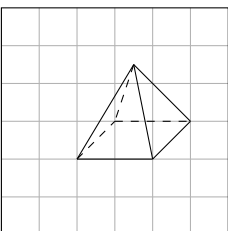
c)



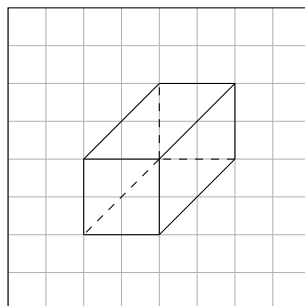
d)



e)



f)

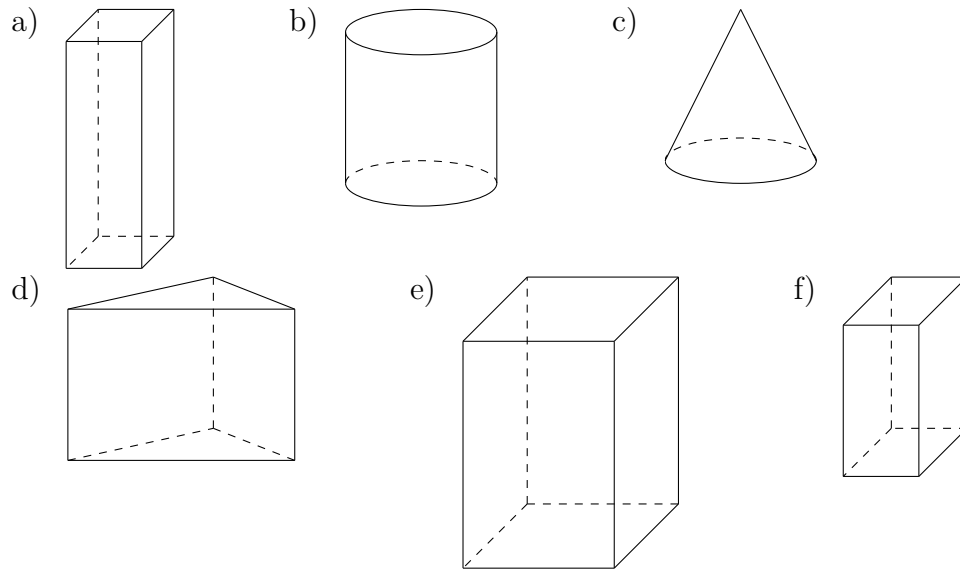


2)

Complete the shape by drawing the missing invisible lines. Use a dotted or dashed line.

Quick:
1443

line.

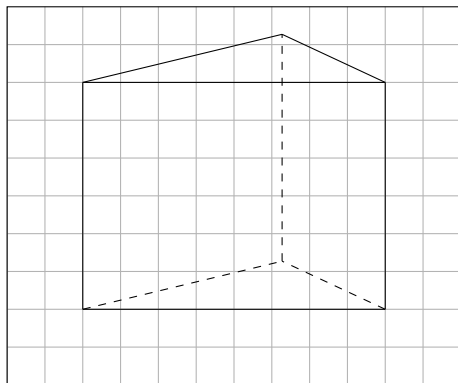


3)

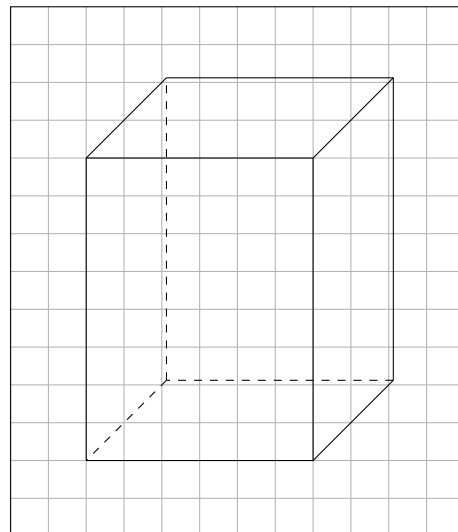
Complete the shape by drawing the missing invisible lines. Use a dotted or dashed line.

Quick:
1443

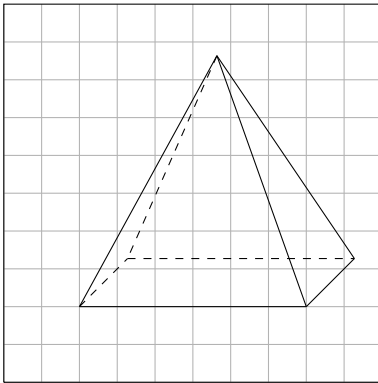
a) Shape: A prism



b) Shape: A cuboid



c) Shape: A pyramid

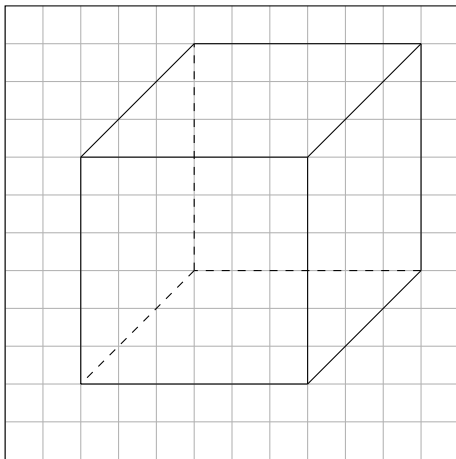


4)

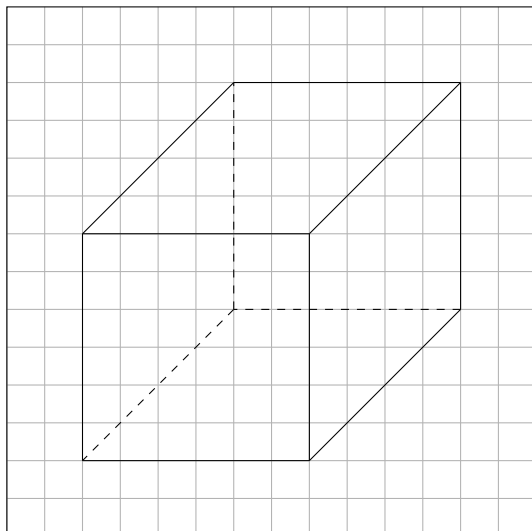
Complete the shape by drawing the missing invisible lines. Use a dotted or dashed line.

Quick:
1443

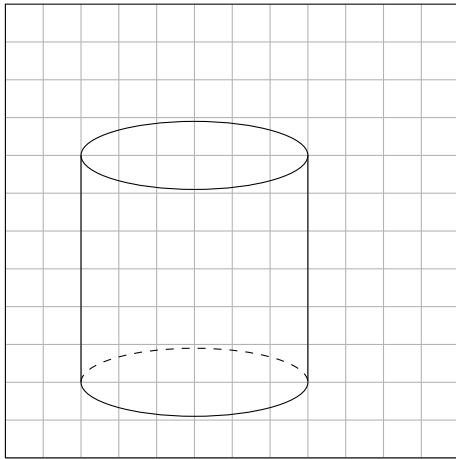
a) Shape: A cube



b) Shape: A cuboid



c) Shape: A cylinder



Good Luck!