

Worksheet

05/04/2020

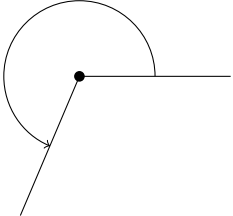
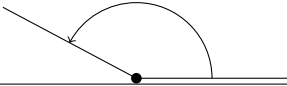
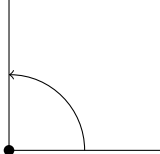
Free on dw-math.com

Problem quickname: 6382

1)

Match each angle on the left side to the correct type on the right side.

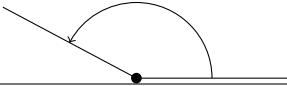
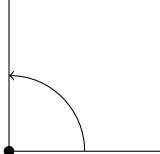
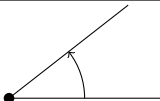
Quick:
6382

	Angle		Type
A		→	3 reflex angle
B		→	1 obtuse angle
C		→	2 right angle

2)

Match each angle on the left side to the correct type on the right side.

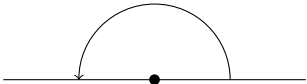
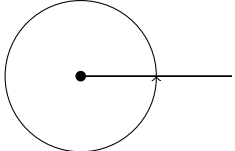
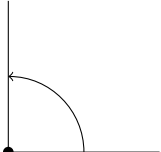
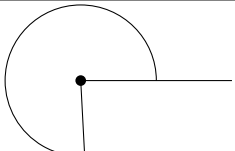
Quick:
6382

	Angle		Type
A		→	2 obtuse angle
B		→	3 right angle
C		→	1 acute angle

3)

Quick:
6382

Match each angle on the left side to the correct type on the right side.

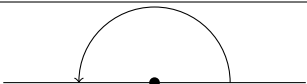
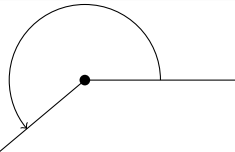
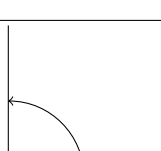
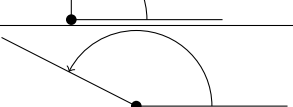
	Angle
A	
B	
C	
D	

→	3	straight angle
→	1	full angle
→	4	right angle
→	2	reflex angle

4)

Quick:
6382

Match each angle on the left side to the correct type on the right side.

	Angle
A	
B	
C	
D	

→	3	straight angle
→	4	reflex angle
→	2	right angle
→	1	obtuse angle

Good Luck!